

Separator Blocks

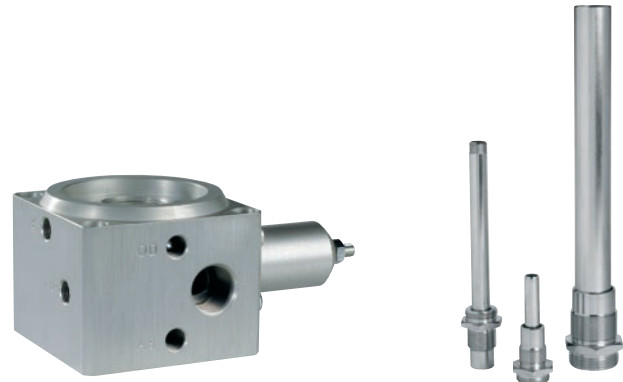
Type: MD

Application:

For oil injected screw compressors, as attach for external air-oil spin-on separator, including the minimum pressure and check valve function.

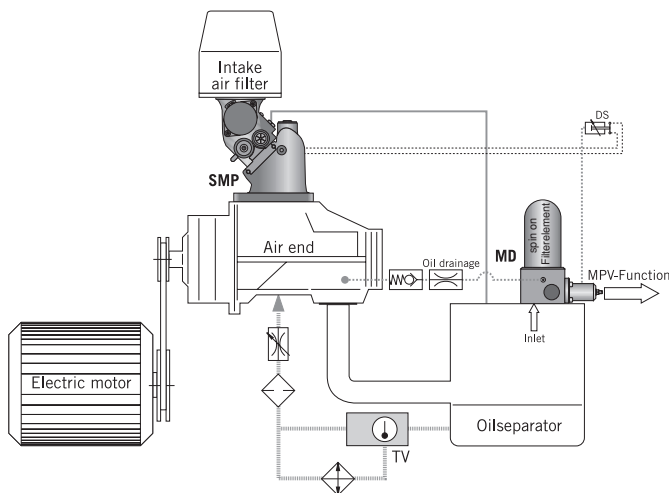
Function:

Attach for external air-oil spin-on separator, including the minimum pressure and check valve function. Ports for draining of the separated oil and monitoring of clogged filter and discharge pressure are available. For MPVL see corresponding R284 datasheet.



Attention! Never attempt to disassemble a cylinder whilst under pressure!

Installation diagram for compressor with MD



Installation:

MD blocks are available in 2 versions, to be flanged on the separator or to be assembled within the piping (threaded connection).

Spin-on filter can be mounted upside down or vice versa.

Ports:

- OD Oil drainage
- BS Pressure before separator
- AS Pressure after separator
- LP Pressure after minimum pressure valve (Line pressure).

Ordering details:

Specify the type of valve (threaded or flange attach) and the F.A.D.

Maintenance:

Ask for original HOERBIGER replacement parts.

Details

| Type | | MD4 | MD8 | MD18 | MD25 | MD46 | MD65 |
|-----------------------------------|---------------------|---|---------|---------|---------|---------|---------|
| Nominal diameter DN | mm | 12 | 12 | 15 | 15 | 20 | 27 |
| Max. working pressure PS | bar (g) | 16 | | | | | |
| Port sizes | | See dimension table | | | | | |
| Max. air flow | m ³ /min | 0,4 | 0,8 | 1,8 | 2,5 | 4,6 | 6,5 |
| Temperature range | °C | 0 bis +120 | | | | | |
| Used MPVL at set pressure 3,5 bar | | MPVL 15 | MPVL 15 | MPVL 20 | MPVL 20 | MPVL 25 | MPVL 32 |
| Dimensions | mm | See dimension table | | | | | |
| Materials | | Anodized aluminium, inox steel, zincplated steel, viton | | | | | |
| Weight | kg | 1 | 1,1 | 1,3 | 1,3 | 3,2 | 3,8 |

HOERBIGER Kompressortechnik GmbH
 D-86956 Schongau, Im Forchet 5
 Phone +49 (0) 88 61 210-0, Fax +49 (0) 88 61 210-3273
 Mail: info-rcc@hoerbiger.com
 www.hoerbiger.com

Dimension Table for flanged version (dimension in mm)

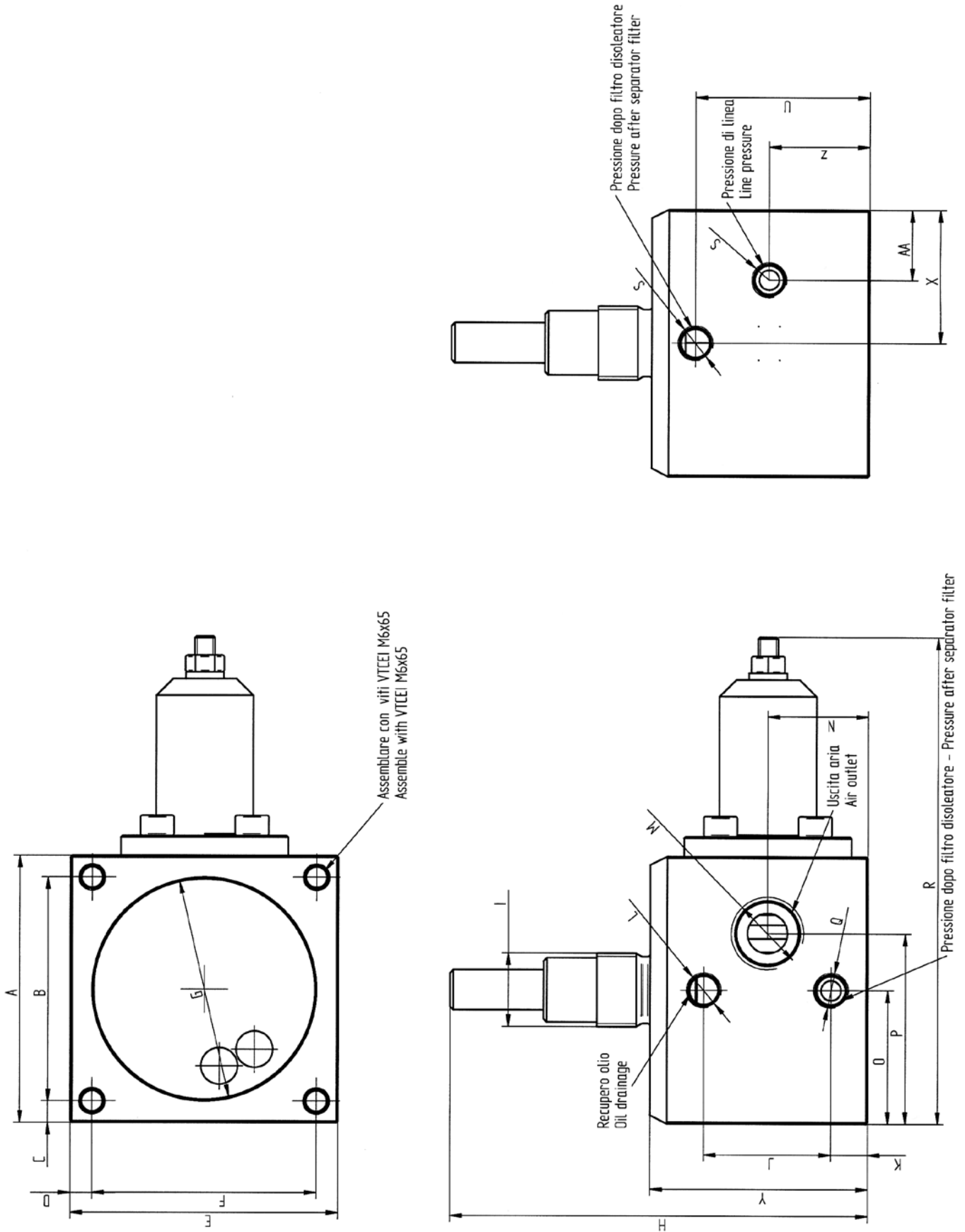
| Type | MD4 | MD8 | MD18 | MD25 | MD46 | MD65 |
|------|---------|---------|---------|---------|----------|----------|
| A | 80 | 80 | 80 | 80 | 120 | 120 |
| B | 67 | 67 | 67 | 67 | 101 | 101 |
| C | 6.5 | 6.5 | 6.5 | 6.5 | 9.5 | 9.5 |
| D | 6.5 | 6.5 | 6.5 | 6.5 | 9.5 | 9.5 |
| E | 80 | 80 | 80 | 80 | 120 | 120 |
| F | 67 | 67 | 67 | 67 | 101 | 101 |
| G | 66 | 66 | 66 | 66 | 38 | 38 |
| H | 125 | 165 | 226 | 226 | 208 | 348 |
| I | M22x1,5 | M22x1,5 | M24x1,5 | M24x1,5 | M39x1,5 | M39x1,5 |
| J | 38 | 38 | 38 | 38 | 28 | 33,5 |
| K | 11 | 11 | 11 | 11 | 28 | 32 |
| L | G 1/8" | G 1/8" | G 1/8" | G 1/8" | G 1/8" | G 1/8" |
| M | G 1/2" | G 1/2" | G 1/2" | G 3/4" | G 1 1/4" | G 1 1/4" |
| N | 30 | 30 | 30 | 30 | 102 | 102 |
| O | 40 | 40 | 40 | 40 | 60 | 60 |
| P | 57 | 57 | 57 | 57 | 83 | 83 |
| Q | G 1/8" | G 1/8" | G 1/8" | G 1/8" | 47 | 47 |
| R | 146 | 146 | 166 | 166 | 201 | 220 |
| S | G 1/8" | G 1/8" | G 1/8" | G 1/8" | G 1/8" | G 1/8" |
| U | 52 | 52 | 52 | 52 | 73 | 83 |
| V | - | - | - | - | 45 | 49 |
| W | - | - | - | - | 20 | 20 |
| X | 40 | 40 | 40 | 40 | 35 | 35 |
| Y | 65 | 65 | 65 | 65 | - | - |
| Z | 30 | 30 | 30 | 30 | - | - |
| AB | 21 | 21 | 21 | 21 | 60 | 60 |
| BB | - | - | - | - | 78 | 78 |

Dimension Table for threaded version (dimension in mm)

| Type | MD4 | MD8 | MD18 | MD25 | MD46 | MD65 |
|------|---------|---------|---------|---------|----------|----------|
| A | 80 | 80 | 80 | 80 | 120 | 120 |
| B | 67 | 67 | 67 | 67 | 101 | 101 |
| C | 6.5 | 6.5 | 6.5 | 6.5 | 9.5 | 9.5 |
| D | 6.5 | 6.5 | 6.5 | 6.5 | 9.5 | 9.5 |
| E | 80 | 80 | 80 | 80 | 120 | 120 |
| F | 67 | 67 | 67 | 67 | 101 | 101 |
| G | G 1/4" | G 1/4" | G 1/4" | G 1/4" | G 1/4" | G 1/4" |
| H | 125 | 165 | 226 | 226 | 208 | 348 |
| I | M22x1.5 | M22x1.5 | M24x1.5 | M24x1.5 | M39x1.5 | M39x1.5 |
| J | 36 | 36 | 36 | 36 | 27,5 | 33,5 |
| K | 13 | 13 | 13 | 13 | 28 | 32 |
| L | G 1/8" | G 1/8" | G 1/8" | G 1/8" | G 1/8" | G 1/8" |
| M | G 1/2" | G 1/2" | G 1/2" | G 3/4" | G 1 1/4" | G 1 1/4" |
| N | 30 | 30 | 30 | 30 | 82 | 78 |
| O | 40 | 40 | 40 | 40 | 60 | 60 |
| P | 57 | 57 | 57 | 57 | 83 | 83 |
| Q | G 1/8" | G 1/8" | G 1/8" | G 1/8" | 47 | 45 |
| R | 145 | 145 | 165 | 165 | 201 | 220 |
| S | G 1/8" | G 1/8" | G 1/8" | G 1/8" | G 1/8" | G 1/8" |
| T | G 1/2" | G 1/2" | G 1/2" | G 3/4" | G 1 1/2" | G 1 1/2" |
| U | 52 | 52 | 52 | 52 | 73 | 83 |
| V | 30 | 30 | 30 | 30 | 45 | 49 |
| W | 23,38 | 23,38 | 23,38 | 23,38 | 20 | 20 |
| X | 40 | 40 | 40 | 40 | 60 | 60 |
| Y | 65 | 65 | 65 | 65 | 35 | 35 |
| Z | 50 | 50 | 50 | 50 | - | - |
| AB | - | - | - | - | 28 | 40 |
| BB | - | - | - | - | 88 | 98 |

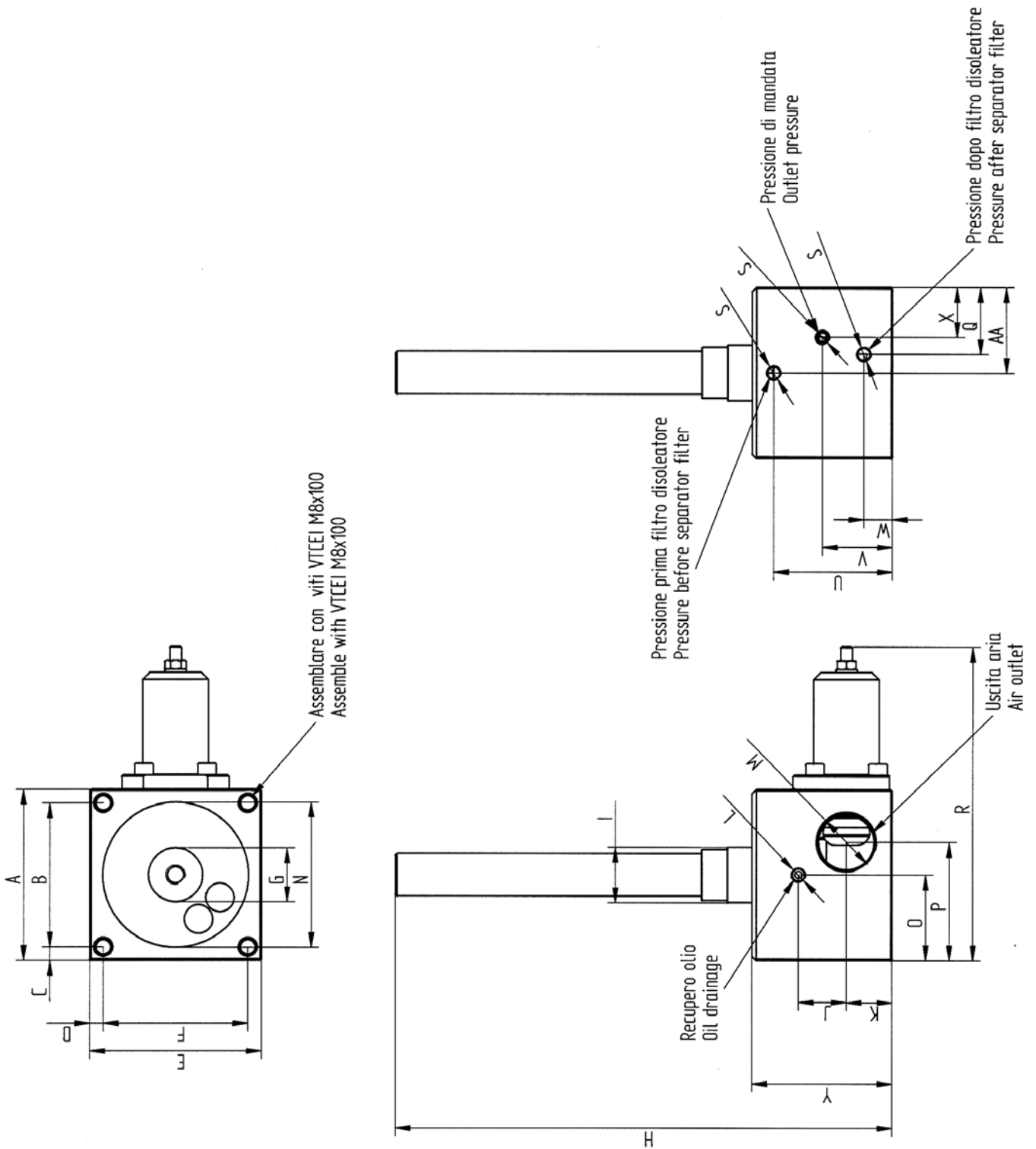
HOERBIGER can not grant any warranty for the correctness of technical or other data in catalogues, brochures and other printed material. HOERBIGER reserves the right to alter its products without notice. This also applies to products already on order provided that such alternations can be made without subsequential changes being necessary in specifications already agreed.

Dimensions, Type: MD 4-25 flanged version



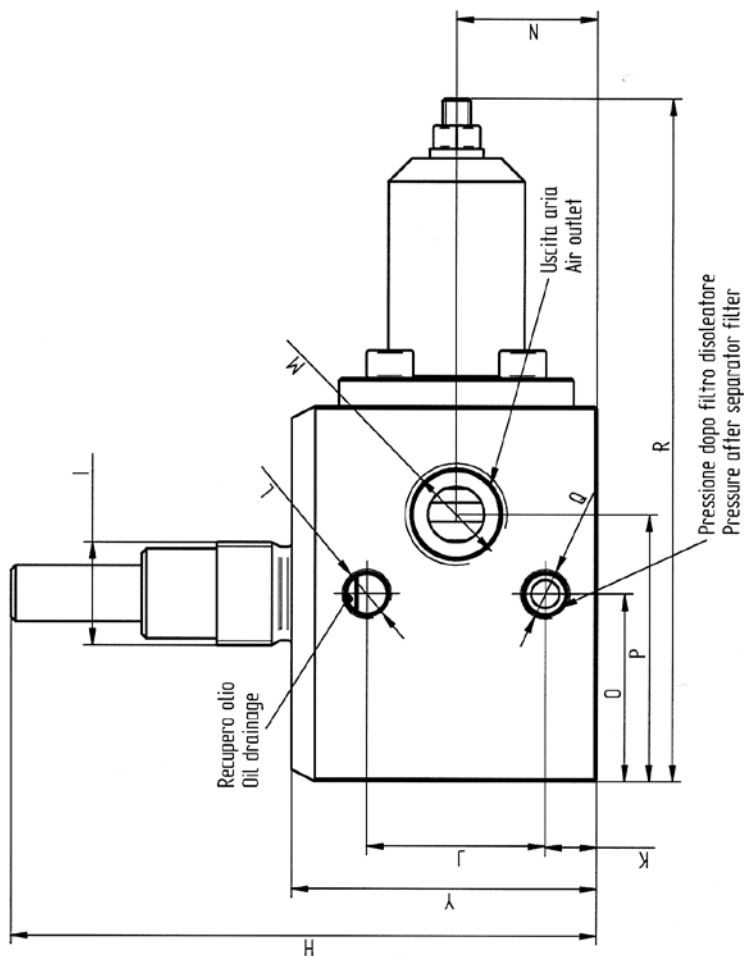
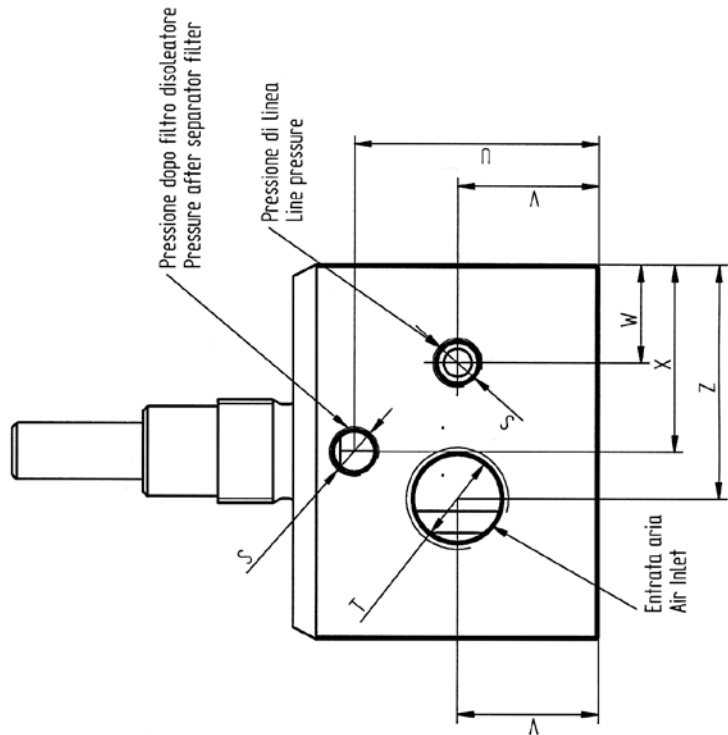
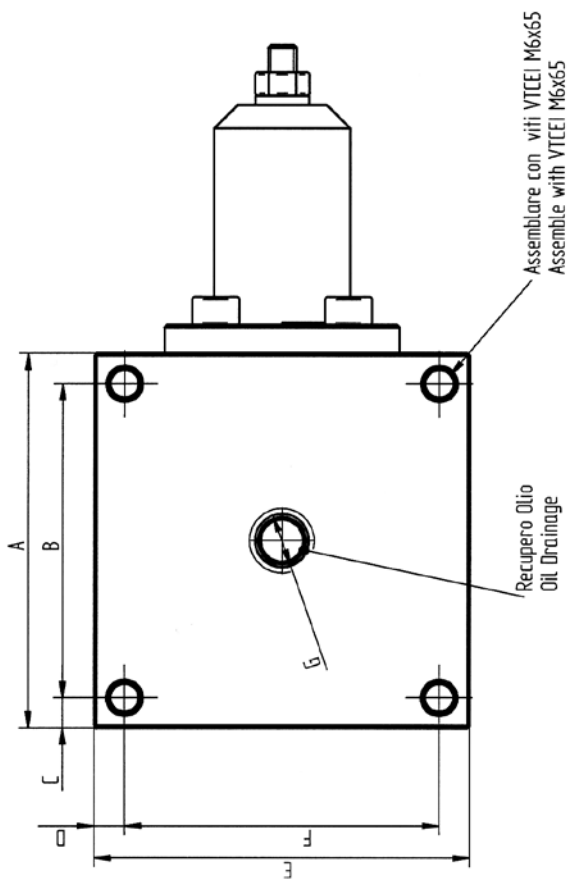
HOERBIGER can not grant any warranty for the correctness of technical or other data in catalogues, brochures and other printed material. HOERBIGER reserves the right to alter its products without notice. This also applies to products already on order provided that such alternations can be made without subsequential changes being necessary in specifications already agreed.

Dimensions, Type: MD 46-65 flanged version

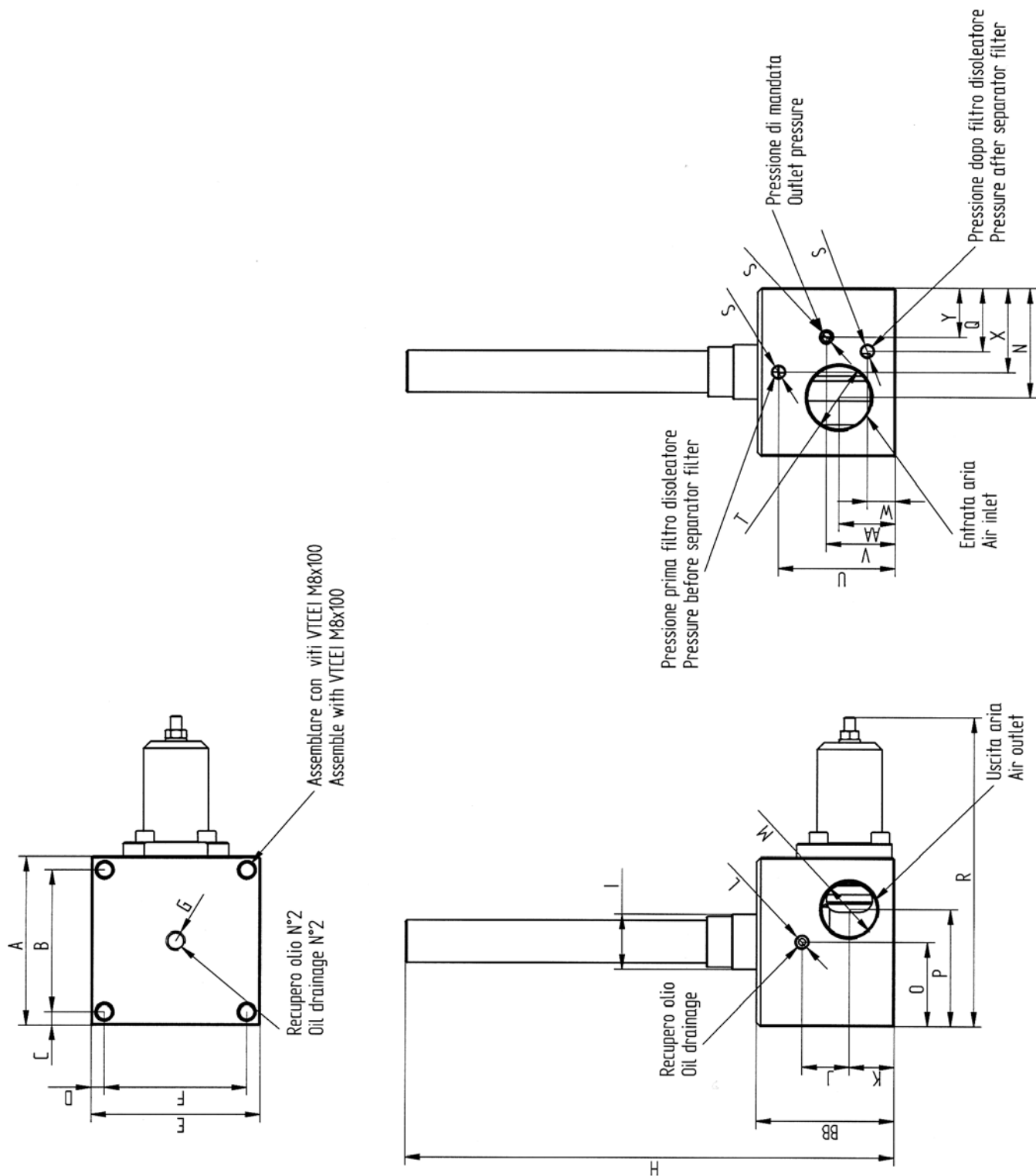


HOERBIGER can not grant any warranty for the correctness of technical or other data in catalogues, brochures and other printed material. HOERBIGER reserves the right to alter its products without notice. This also applies to products already on order provided that such alternations can be made without subsequential changes being necessary in specifications already agreed.

Dimensions, Type: MD 4-25 threaded version



Dimensions, Type: MD 46-65 threaded version



HOERBIGER can not grant any warranty for the correctness of technical or other data in catalogues, brochures and other printed material. HOERBIGER reserves the right to alter its products without notice. This also applies to products already on order provided that such alternations can be made without subsequential changes being necessary in specifications already agreed.