

## Butterfly Valves Type DK

### Application

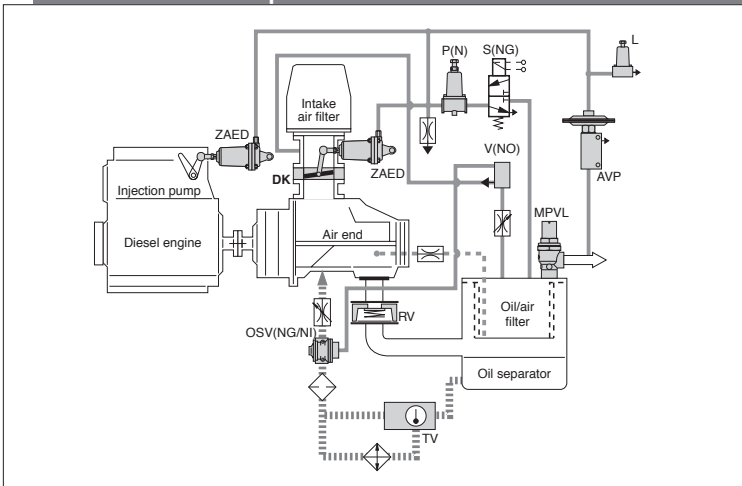
For the regulation of flow in ventilation systems. For both stepless and two point air intake capacity control of air compressors.

### Function

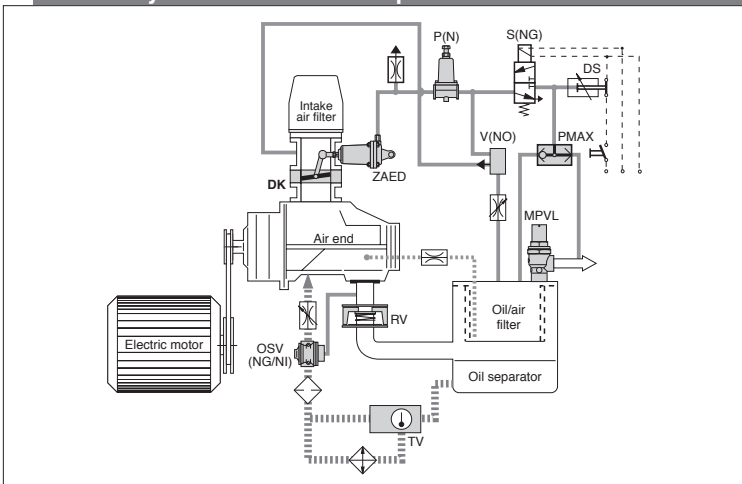
The butterfly disc (2) is opened or closed by turning the shaft (3) by 90 degrees. These two valve components are welded together for maximum safety and for minimum flow resistance. A seal ring prevents leakage to the outside. Butterfly valves DK are available (on request) with a minimum flow nozzle drilled through the butterfly disc. Valve sized 200 to 300 mm are equipped with a closing stop screw for both easy reopening and for adjustment of the minimum flow on start-up and idling of compressors.

**⚠ Attention! Never attempt to disassemble the valve whilst under pressure!**

### Portable screw compressor



### Stationary industrial screw compressor



### Installation

Between flanges to DIN standards for nominal pressures 6, 10 and 16 bar, or between a compressor's suction flange and the intake duct flange. Installation position is optional for valve sizes up to 150 mm. Valve of sizes 200 to 300 mm are installed with the shaft horizontal.

### Valve actuators

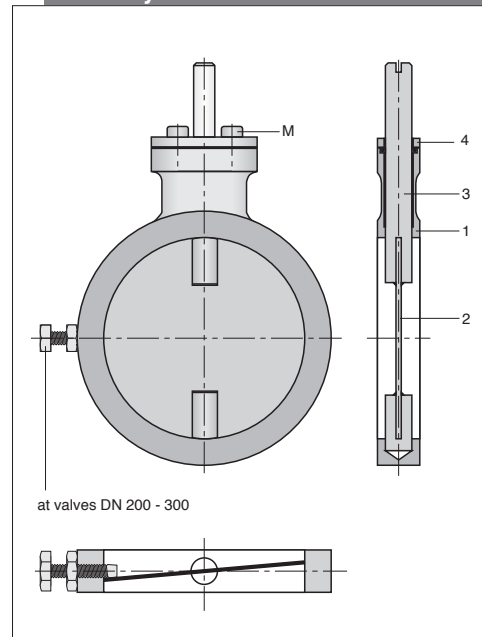
Butterfly valves DK are supplied with free shaft end. Pneumatic, electric or hydraulic actuators are fastened to the ring housing (1) at the shaft flange. The shaft flange cover (4) is removed and the actuator system is fastened by using the female bolts (M). Pneumatic actuators (like servo cylinders, see leaflet R266E) and butterfly valve assemblies (Suction Throttle Control, types ODKS and GDKS, see leaflet R265E) are also available.

### Ordering details

Type, article No., diameter of nozzle in the butterfly disc. Butterfly valves DK are supplied without idling nozzles, if not ordered otherwise.



### Butterfly valve DK



**HOERBIGER KOMPRESSORTECHNIK GMBH**

Im Forchet 5 • D-86956 Schongau

Phone +49 (0)8861-210-0 • Fax +49 (0)8861-210-3273

E-mail: rcc@hks.hoerbiger.de • www.hoerbigerkompresortechnik.de

**R206E**

A1R206E03KAD00D

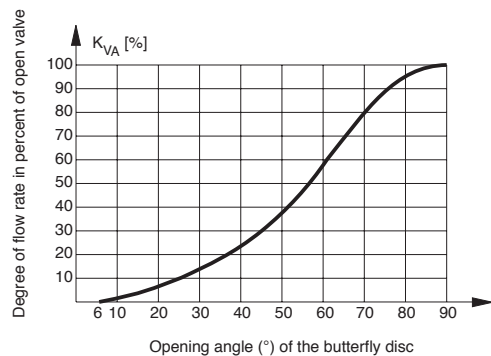
**HOERBIGER**

## Details

Nominal diameter DN	mm	65	80	100	125	150	200	250	300	
Type		DK65	DK80	DK100	DK125	DK150	DK200	DK250	DK300	
Article No.		30-06 H407	30-08 H407	30-10 H407	30-12 H407	30-15 H407	30-20 H408	30-25 H408	30-30 H408	
Max. working pressure PS	bar (g)	1								
Valve closing		6°, impact right								
Butterfly disc stop		without						adjustable stop		
Shaft bearing		inside housing, sliding								
Shaft sealing to ambient air		seal ring								
$K_{VA}$ -value <sup>1)</sup>	m <sup>3</sup> /h	130	210	340	540	750	1380	2190	3200	
$K_{VD}$ -value	m <sup>3</sup> /h	235	445	790	1240	1620	3300	6090	8900	
Free passage area $A_F$	cm <sup>2</sup>	27.5	44	71	110	156	281	450	660	
Temperature range	°C	-20 to +100, temporary up to 120								
Control characteristic		see diagramm 1								
Leakage rate $V_{NL}$ (Butterfly disc closed)	Intake from atmosphere for intake $p = 1 \text{ bar (g)}$ $\Delta p = 1 \text{ bar (g)}$	m <sup>3</sup> /min	0.07	0.09	0.12	0.16	0.20	0.32	0.44	0.55
		m <sup>3</sup> /min	0.14	0.18	0.24	0.32	0.40	0.64	0.88	1.1
Medium		oily pressurized air • some gases and liquids on request								
Installation position		optional						shaft of butterfly disc approx. in horizontal position, butterfly disc stop at valve outlet		
Materials		ring housing: cast iron others: steel, varnished shaft sealing: perbunan								
Dimensions		see drawing								
Weight	kg	1.4	1.65	1.9	3.8	4.7	9.4	12.2	16	

<sup>1)</sup> measured to DIN IEC 534, vales refer to a specific density of 1000 kg/m<sup>3</sup> (water)

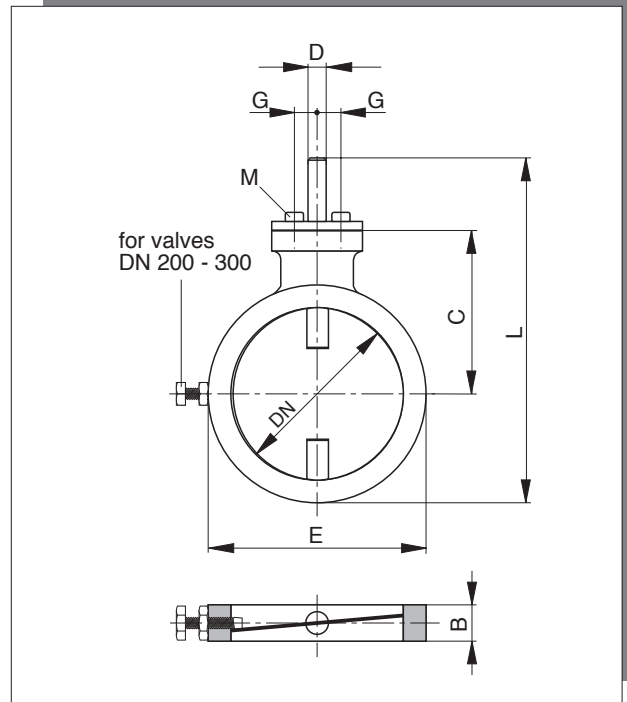
## Flow characteristics



## Dimension table (in mm)

DN	B	C	D	E	G	L	M
65	25	98	12	105	17	215	M8
80	25	104	12	120	17	229	M8
100	25	115	12	140	17	250	M8
125	35	131	16	170	20	280	M10
150	35	145	16	195	20	307	M10
200	40	182	16	260	20	382	M10
250	40	222	16	310	20	447	M10
300	45	250	20	360	30	525	M12

## Dimensions



HOERBIGER can not grant any warranty for the correctness of technical or other datas in catalogues, brochures and other printed material. HOERBIGER reserves the right to alter its products without notice. This also applies to products already on order provided that such alternations can be made without subsequential changes being necessary in specifications already agreed.